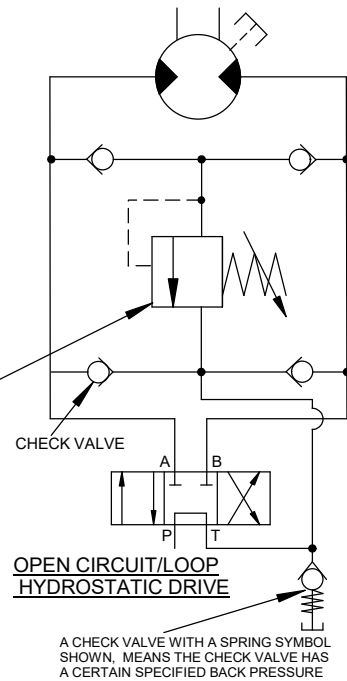
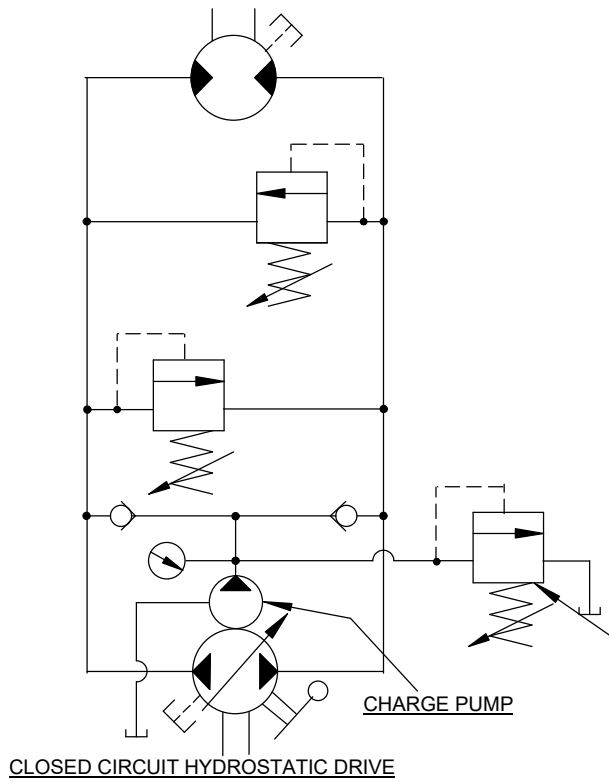
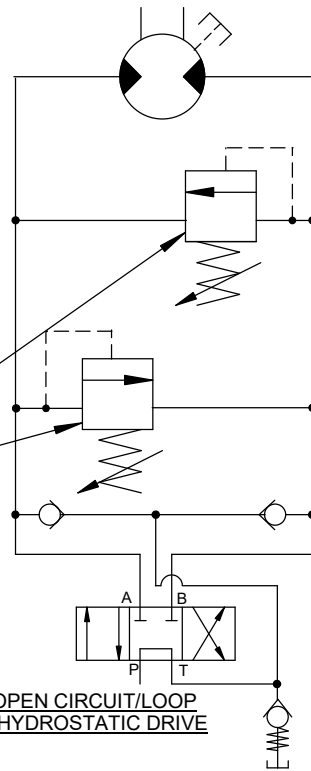
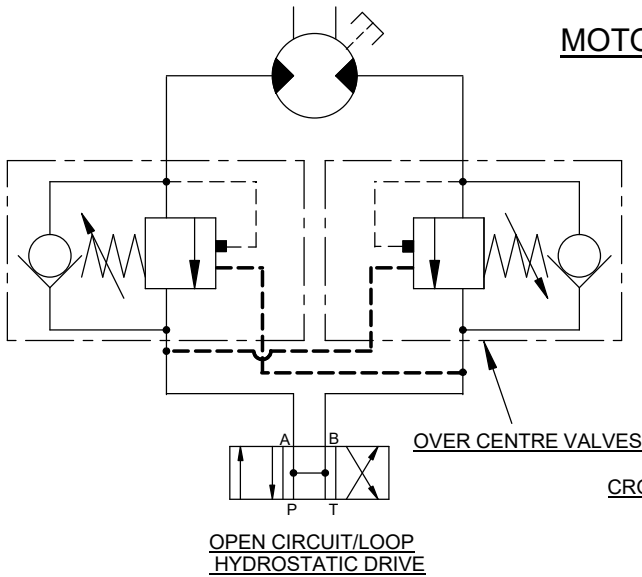
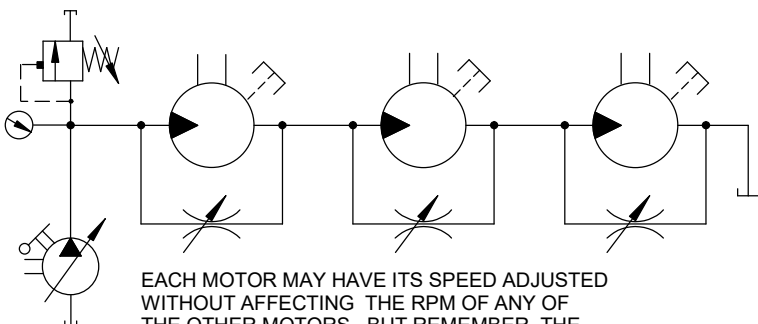


MOTOR - CIRCUITS



A CHECK VALVE WITH A SPRING SYMBOL SHOWN, MEANS THE CHECK VALVE HAS A CERTAIN SPECIFIED BACK PRESSURE



EACH MOTOR MAY HAVE ITS SPEED ADJUSTED WITHOUT AFFECTING THE RPM OF ANY OF THE OTHER MOTORS. BUT REMEMBER, THE WORKING PRESSURE OF EACH MOTOR WILL BE ADDED TO THE PRESSURE OF THE PRECEDING MOTOR.